

Cabin Air Filter Installation Instructions

Filter is located behind glove compartment door inside filter housing.

1. Open glove box drawer halfway down.
2. Grasp the glove box door on the lower and upper sides of the drawer and remove from cavity. (See Figure 1)
3. Press down on filter housing cover tab and remove filter housing cover. (See Figure 2)
4. Install filter, filter housing cover and re-install glove box drawer.

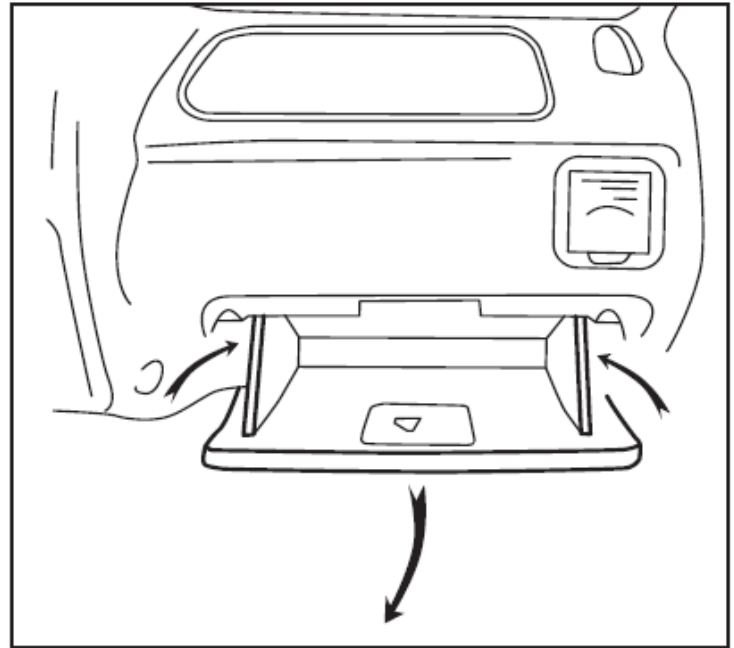


Figure 1

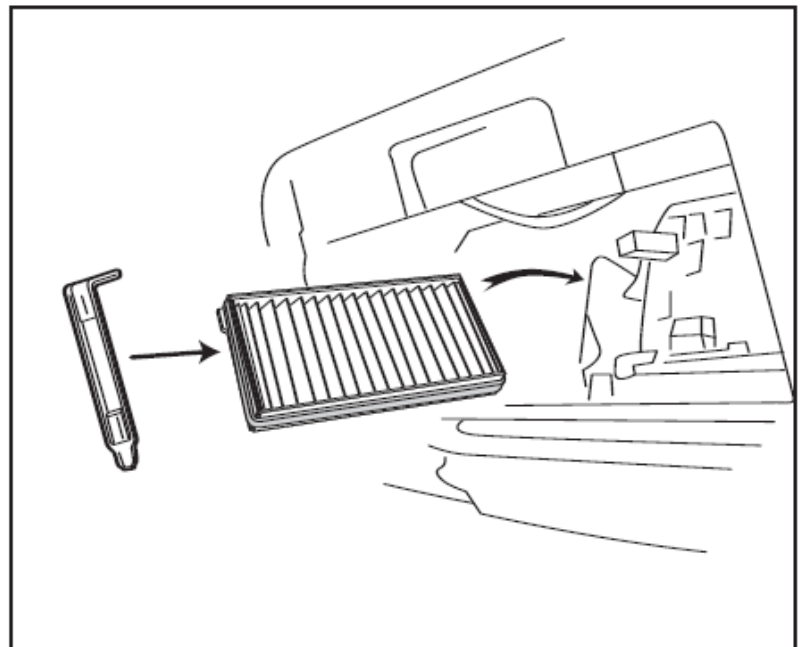


Figure 2

*Approximate Installation
Time: 30 Minutes*

atp

professional auto parts®

1300 Pratt Boulevard
Elk Grove Village, Illinois 60007
Tech Help Line: 1-800-528-6695
www.atp-inc.com