

Cabin Air Filter Installation Instructions

Interior ventilation filter is located underneath passenger side cowl cover.

1. Turn ignition to the on position.
2. Position windshield wipers to the up position and turn ignition off.
3. Open Hood.
4. Remove (2) cowl retainer pins on cowl cover. (See Figure 1)
5. Remove the weather strip along the cowl cover and separate cowl cover connecting to the driver's side cowl cover and gently remove from vehicle.
6. Locate the filter housing behind the vehicle's battery and remove the filter housing cover. (See Figure 2)
7. Pull up on filter to remove. (See Figure 3)
8. Installation is in the reverse order of removal.

Approximate Installation Time: 20 Minutes

Figure 1

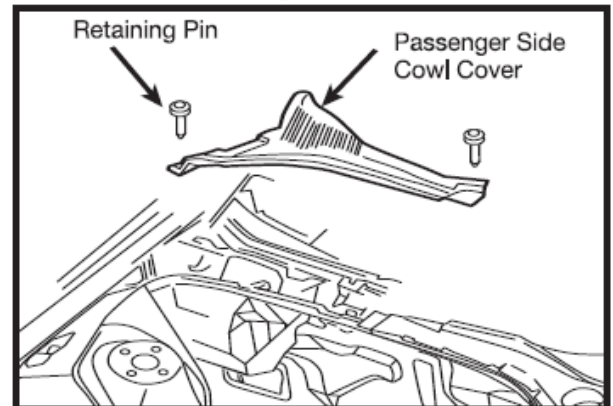


Figure 2

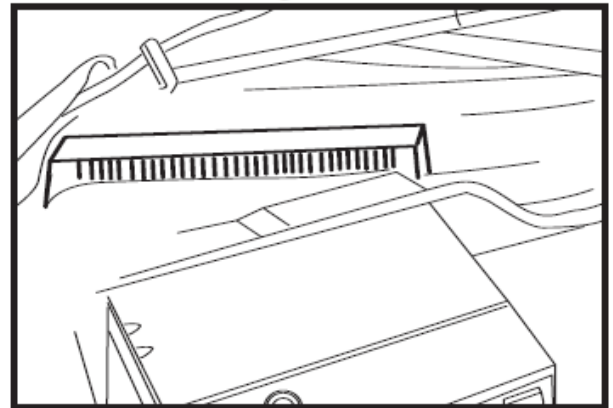
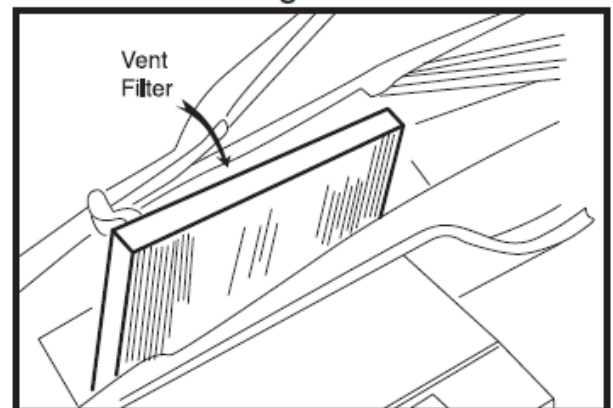


Figure 3



atp
professional auto parts®

1300PrattBoulevard
Elk Grove Village, Illinois 60007
Tech Help Line: 1-800-528-6695
www.atp-inc.com

Form No. FA9-CF19