

Cabin Air Filter Installation Instructions

Interior ventilation filters are located above the passenger side kick panel, behind the glove box compartment assembly.

- 1. Remove the passenger side upper kick-panel. Remove the glove box compartment mounting screws and remove the compartment assembly. (See Figure 1)**
- 2. Remove the kick panel reinforcement panel. (See Figure 2)**
- 3. Detach the housing cover clip and remove cover. Slide the first filter out. Slide the second filter down and out. (See Figure 3)**
- 4. Installation is in the reverse order of removal.**

Approximate install time: 15 minutes

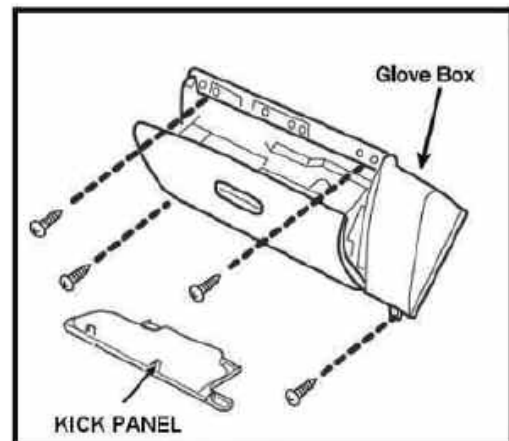


Figure 1

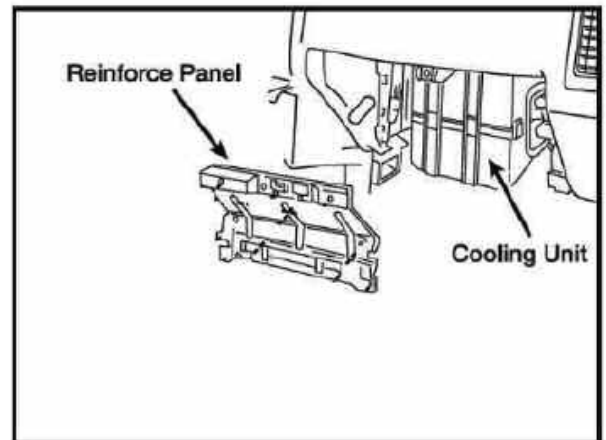


Figure 2

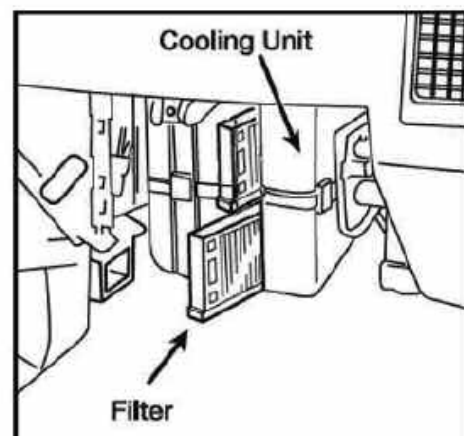


Figure 3

atp
professional auto parts®

1300 Pratt Boulevard
Elk Grove Village, Illinois 60007
Tech Help Line: 1-800-528-6695
www.atp-inc.com