

# Cabin Air Filter Installation Instructions

Interior ventilation filter is located behind the glove box compartment.

1. Open the glove box door. Push inwards on the left and rear inner door stops to release door allowing the door to swing completely down. (See Figure 1)
2. Remove the (6) screws retaining the rear panel of the compartment door. Pull the panel down to gain access to the filter housing. (See Figure 2)
3. Grasp and unlock the filter housing cover lower tab to release the housing cover. Slide filter out towards you. (See Figure 3)
4. Installation is in the reverse order of removal.

*Approximate install time: 10-15 minutes*

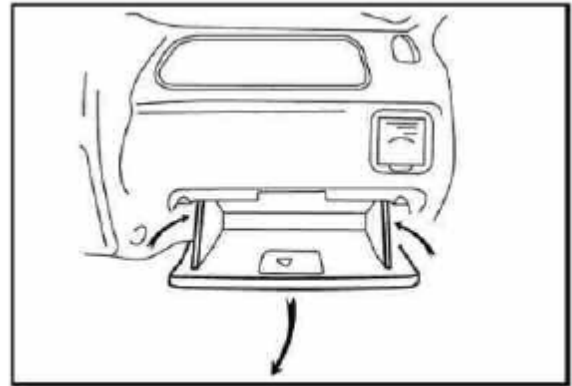


Figure 1

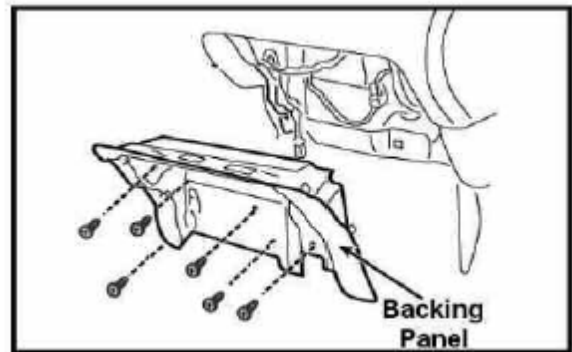


Figure 2

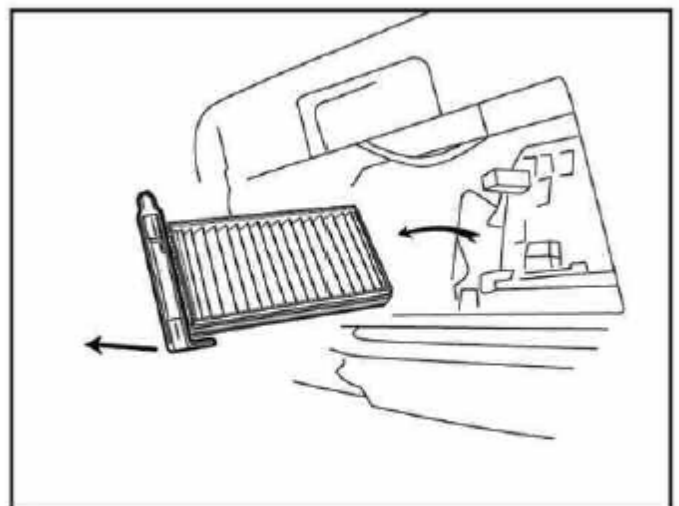


Figure 3

**atp**  
professional auto parts®

1300 Pratt Boulevard  
Elk Grove Village, Illinois 60007  
Tech Help Line: 1-800-528-6695  
[www.atp-inc.com](http://www.atp-inc.com)