

Cabin Air Filter Installation Instructions

Interior ventilation filter is located underneath glove compartment box, above passenger side kick panel.

1. Remove (4) kick panel retainer screws. Disconnect the kick panel interior lamp electrical harness and remove the kick panel. (See Figure 1)
2. Remove the filter housing cover by sliding forward the housing cover retainer and remove cover. (See Figure 2)
3. Pull down on filter to remove from housing. (See Figure 3)
4. Installation is in the reverse order of removal making sure to re-connect the panel light electrical harness.

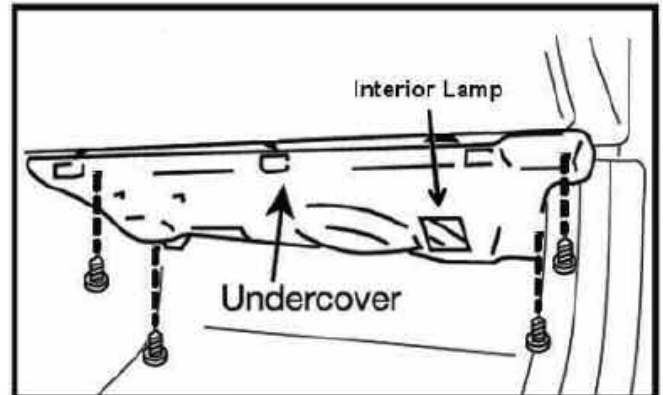


Figure 1

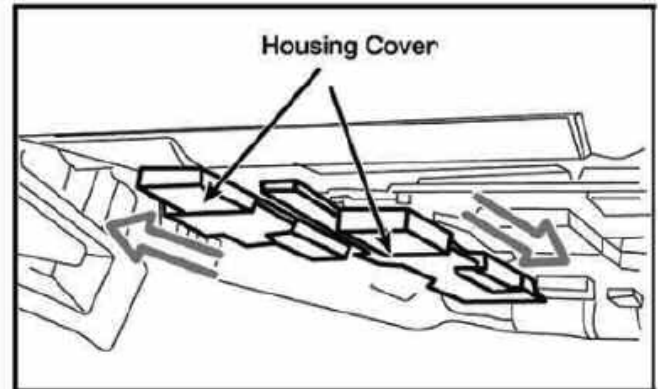


Figure 2

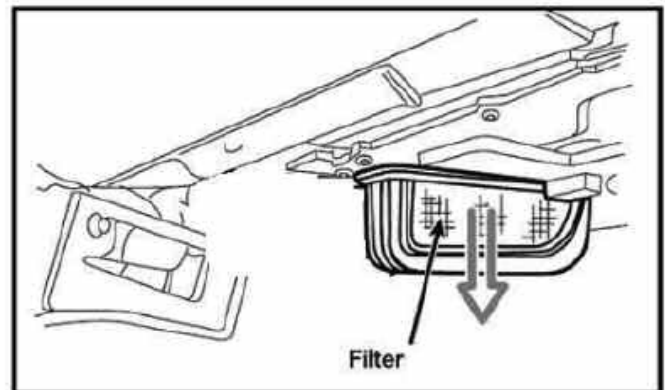


Figure 3

Approximate install time: 10 minutes

atp

professional auto parts®

1300 Pratt Boulevard
Elk Grove Village, Illinois 60007
Tech Help Line: 1-800-528-6695
www.atp-inc.com