

Cabin Air Filter Installation Instructions

Interior ventilation filters are located underneath hood under passenger side cowl panel.

1. Lift and secure hood. Turn (4) locking dials counter-clockwise to remove upper plastic rain guard to gain access to the filter housing below rain guard. (See Figure 1)
2. Disconnect electrical sensor harness connection from sensor on housing. Turn (3) filter housing locking dials counter-clockwise to release filter housing. (See Figure 2)
3. Lift and pull out filter housing assembly. Filters are mounted on the underside of the housing. Depress (4) locking tabs on each filter to remove from housing frame. (See Figure 3)
4. Install filters onto housing frame assuring locking tabs snap back appropriately.
5. Installation is in the reverse order of removal. Make sure to re-connect the sensor's electrical harness.

Approximate install time: 15 minutes

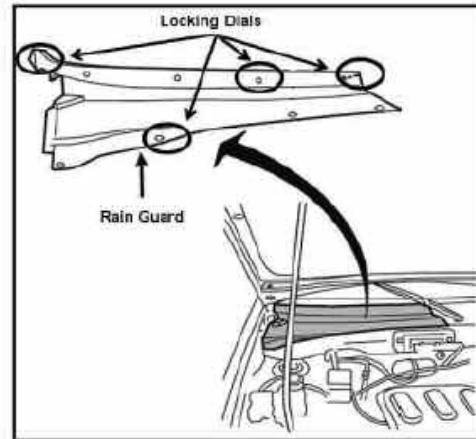


Figure 1

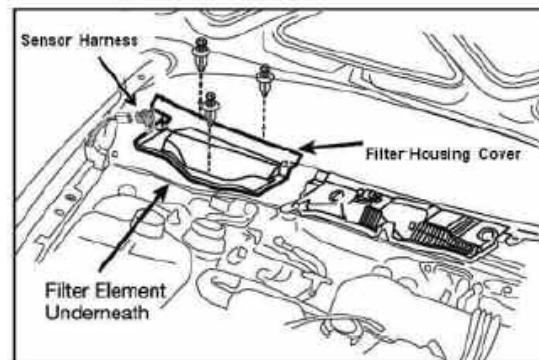


Figure 2

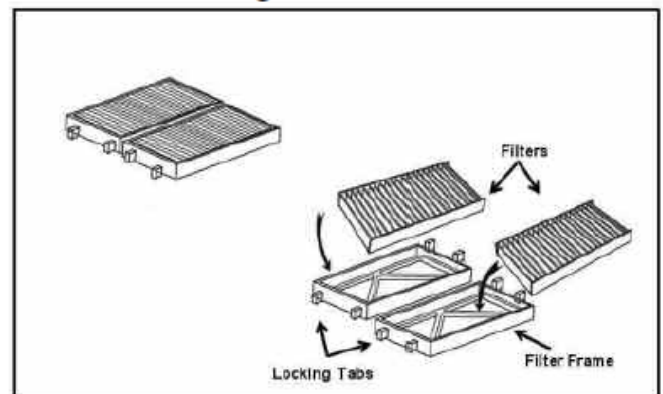


Figure 3

atp

professional auto parts®

1300 Pratt Boulevard
Elk Grove Village, Illinois 60007
Tech Help Line: 1-800-528-6695
www.atp-inc.com