

Cabin Air Filter Installation Instructions

Interior ventilation filters are located behind the glove box door inside filter housing.

1. Open glove box door. Lift and pull out (3) retainer tabs holding in place the plastic divider inside the compartment door and remove the divider. (See Figure 1)
2. Slide up filter housing access door and pull out towards you to remove door. (See Figure 2)
3. Push in on (3) filter frame locking tabs and slide the filter frame out of housing. (See Figure 3)
4. Install filter into frame and slide frame inside housing making sure the (3) lock tabs secure back appropriately.
5. Re-assemble remaining components in the reverse order of removal

Approximate install time: 10 minutes

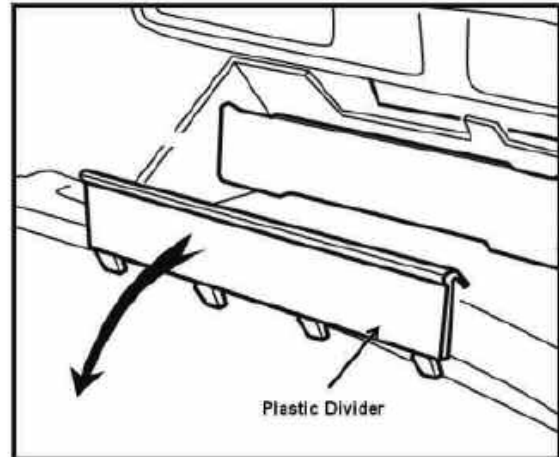


Figure 1

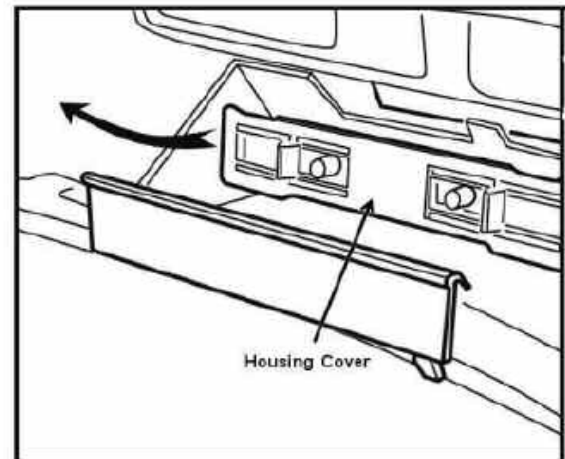


Figure 2

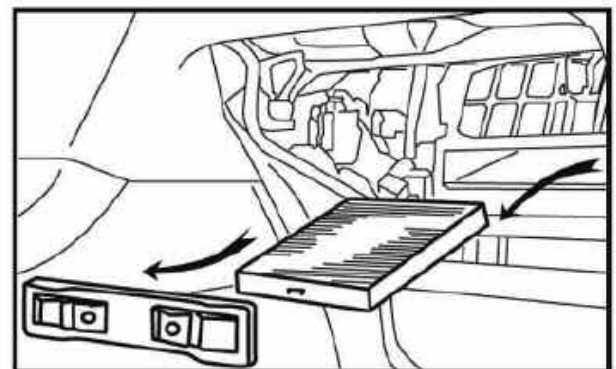


Figure 3

atp

professional auto parts®

1300 Pratt Boulevard
Elk Grove Village, Illinois 60007
Tech Help Line: 1-800-528-6695
www.atp-inc.com