

Cabin Air Filter Installation Instructions

Interior vent filter is located above passenger side kick panel.

Remove (3) screws from the passenger side kick panel. Release (3) retaining tabs to release the kick panel.

(See Figure 1)

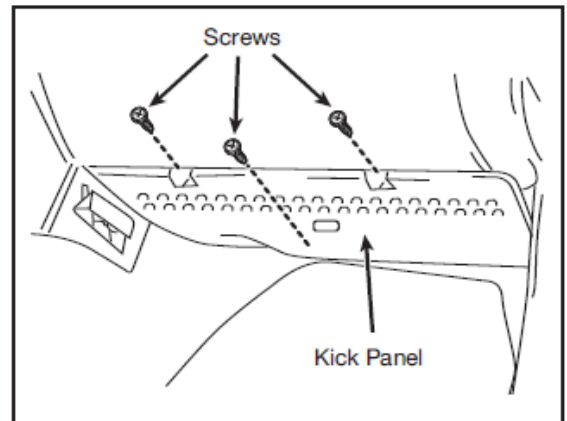


Figure 1

Remove the kick panel by sliding the panel away from the mounting area and pulling downwards. (See Figure 2)

Disconnect the electrical plug connections from the harness that is attached on the kick panel.

(See Figure 3)

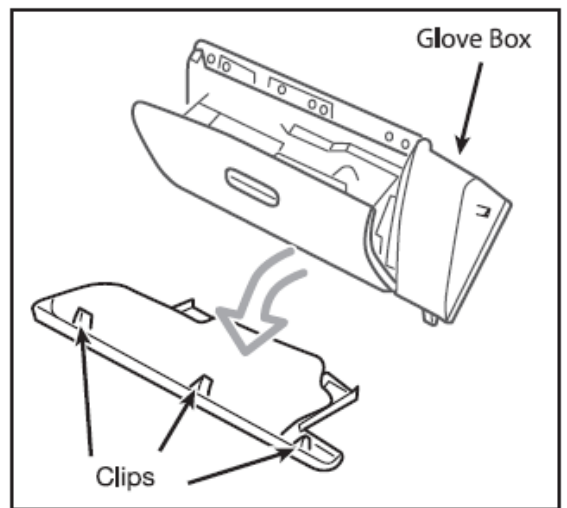


Figure 2

Locate vent filter housing and slide the vent filter downwards. (See Figure 4)

Installation is in the reverse order of removal.

Approximate Installation Time: 20 Minutes

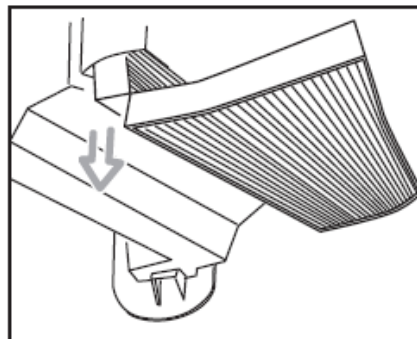


Figure 4

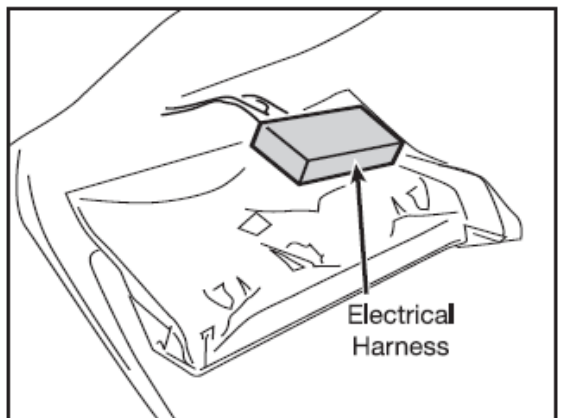


Figure 3

atp

professional auto parts®

1300 Pratt Boulevard
Elk Grove Village, Illinois 60007
Tech Help Line: 1-800-528-6695
www.atp-inc.com