

# Cabin Air Filter Installation Instructions

Interior ventilation filter is located under the passenger's side dash board behind the glove box compartment.

Open glove box door. Disconnect the left and right side retaining straps from the glove box door. Disengage the both sides of the glove box door stops to remove the assembly. (See Figure 1)

Remove (3) screws from the glove compartment trim panel and pull it forward out from the rear clips. (See Figure 2)

Remove the passenger's side footwell trim cover by pulling it out from its clips. (See Figure 3)

Remove (2) air duct retaining screws and remove the air duct. (See Figure 4)

Disconnect the electrical connections off of the air conditioning unit and move the harness aside. Disconnect the plug off of the final stage unit and remove the final stage from the air conditioning unit. (See Figure 5)

Remove the interior vent filter cover screw. Turn the holder on the passenger side of the heater box 90 degrees and remove the vent filter cover. Slide interior vent filter out towards the passenger side door. (See Figure 6)

Installation is in the reverse order of removal.

**Approximate Installation Time:**  
**30 Minutes**

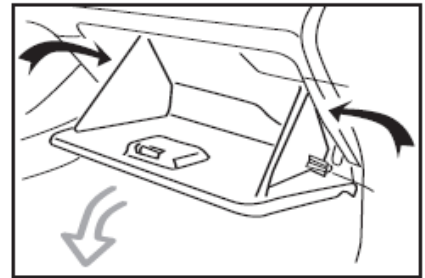


Figure 1

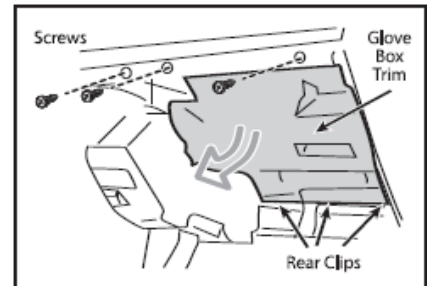


Figure 2

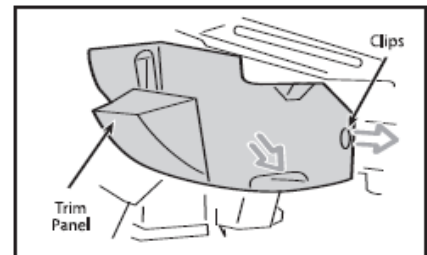


Figure 3

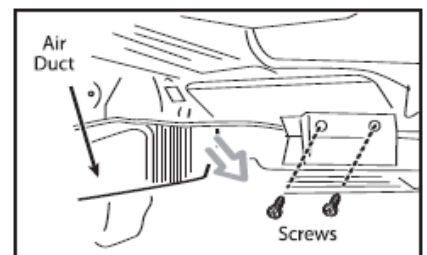


Figure 4

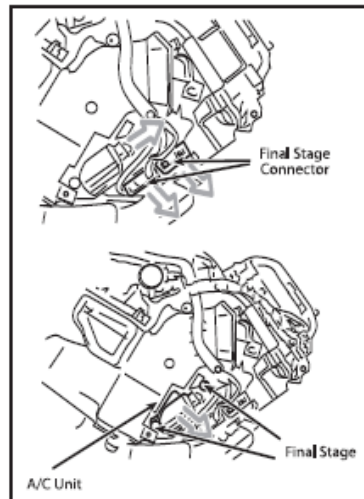


Figure 5

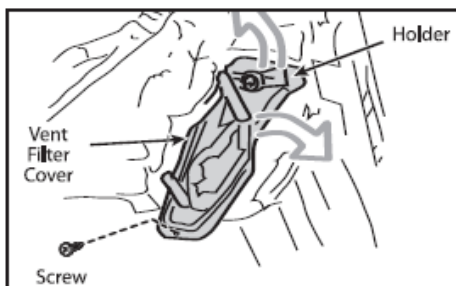


Figure 6

**atp**  
professional auto parts®

1300 Pratt Boulevard  
Elk Grove Village, Illinois 60007  
Tech Help Line: 1-800-528-6695  
[www.atp-inc.com](http://www.atp-inc.com)