

# Cabin Air Filter Installation Instructions

Interior ventilation filters are located underneath hood on the passenger and driver's side of the cowl panel.

1. Open and secure the hood.
2. Press and release the left retaining clip for the passenger side filter housing cover. Press and release the right retaining clip on the cover and fold up cover towards the windshield. (See Figure 1)
3. Use the same procedure as on Figure 1 to remove the cover for the driver's side interior vent filter housing cover.

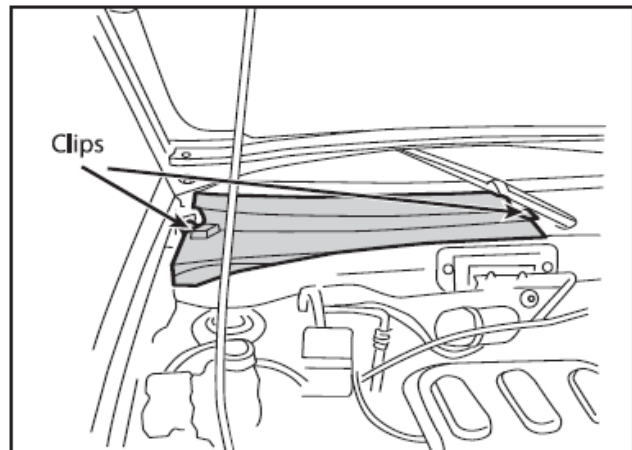


Figure 1

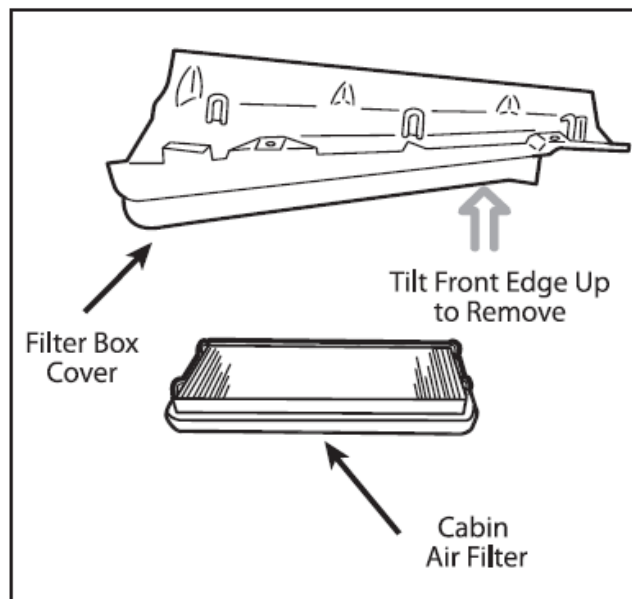


Figure 2

4. Remove both filters and install in the reverse order of removal. (See Figure 2)

*Approximate Installation Time:*  
**10 Minutes**

**atp**

professional auto parts®

1300 Pratt Boulevard  
Elk Grove Village, Illinois 60007  
Tech Help Line: 1-800-528-6695  
[www.atp-inc.com](http://www.atp-inc.com)