

Cabin Air Filter Installation Instructions

Interior ventilation filter is located inside cooling unit behind glove box door.

1. Open the glove box door. Release both glove box stops and allow the glove box door to swing down. (See Figure 1)

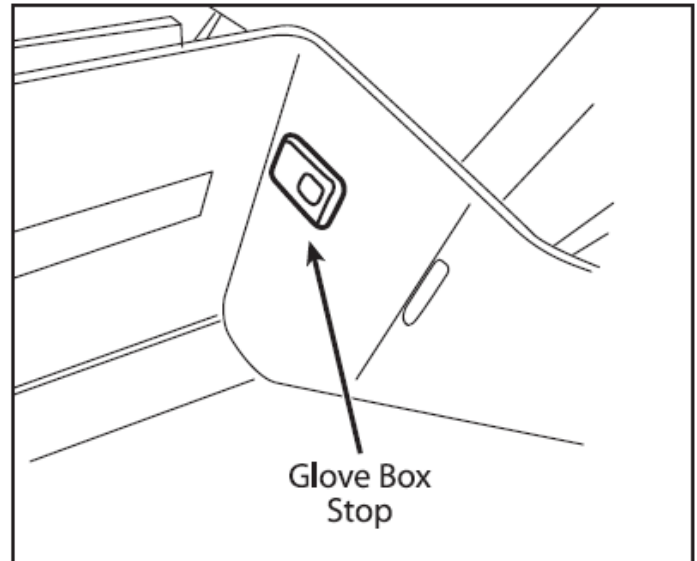


Figure 1

2. Remove the cooling unit cover and remove (2) filters. (See Figure 2)

3. Installation is in the reverse order of removal.

*Approximate Installation Time:
5 Minutes*

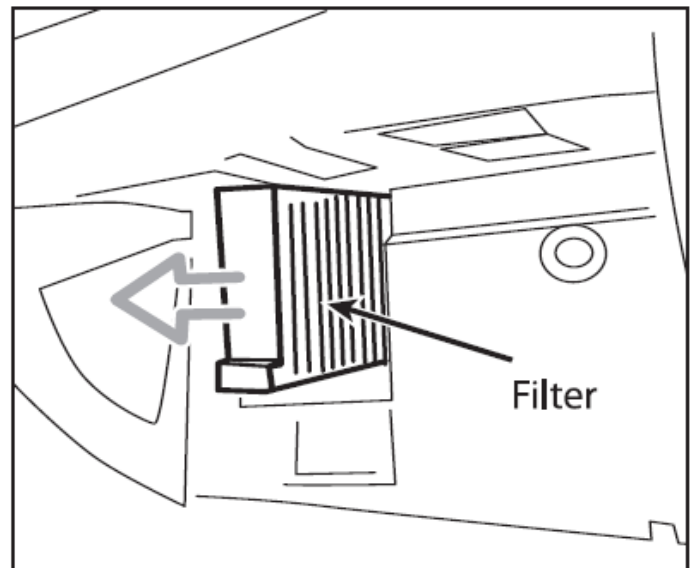


Figure 2

atp

professional auto parts®

1300 Pratt Boulevard
Elk Grove Village, Illinois 60007
Tech Help Line: 1-800-528-6695
www.atp-inc.com