

# Cabin Air Filter Installation Instructions

Interior vent filter is located behind glove box door inside the cooling unit.

Open the glove box door. Push in on both sides of the glove box stops to disengage the stops to allow the glove box door to swing completely down. Remove the glove box door assembly mounting bolts and remove the center console paneling. Remove the glove box assembly and set aside. (See Figure 1)

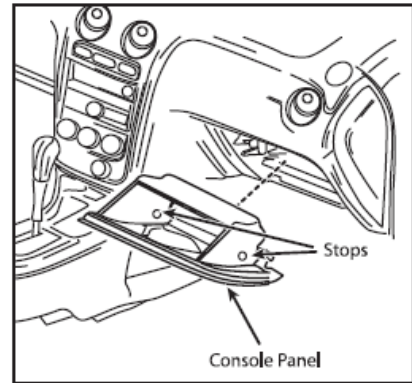


Figure 1

Unplug the blower motor resistor connector from the resistor. Insert a flat tip screwdriver on the tops of the (4) mounting clips of the cooling unit cover. **DO NOT INSERT THE SCREWDRIVER AT THE MIDDLE OF THE CLIPS. YOU MAY DAMAGE THE CLIPS, COVER, AND RESISTOR.** Remove the cooling unit cover and slide both filters out of housing. (See Figure 2)

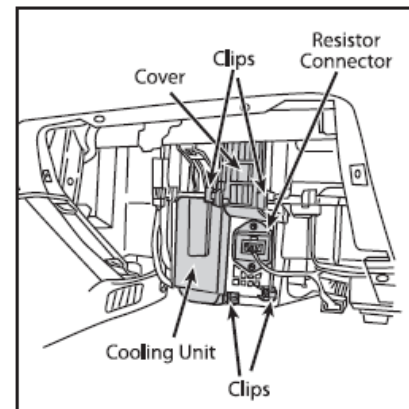


Figure 2

Install both filters inside the housing making sure that the filter assemblies slide appropriately into their corresponding slots and grooves inside the cooling unit. (See Figure 3)

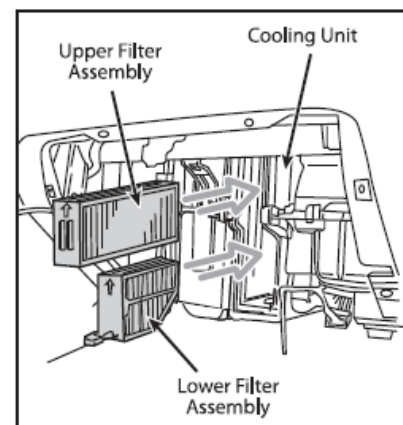


Figure 3

Reinstall housing cover, clips and re-connect resistor connector. Re-assemble the glove box door assembly and center console panel in the reverse order of removal.

*Approximate install time: 15 Minutes*

**atp**

professional auto parts®

1300 Pratt Boulevard  
Elk Grove Village, Illinois 60007  
Tech Help Line: 1-800-528-6695  
[www.atp-inc.com](http://www.atp-inc.com)