

Cabin Air Filter Installation Instructions

Interior ventilation filter is located inside filter housing behind the glove box compartment.

1. Open glove box door. Remove (9) bolts to remove glove box assembly. (See Figure 1)

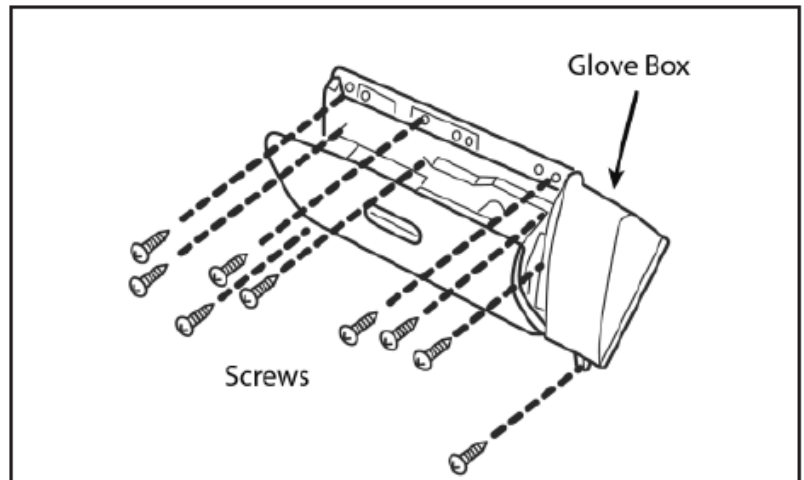


Figure 1

2. Pull out filter housing cover and slide filter out of housing. (See Figure 2)

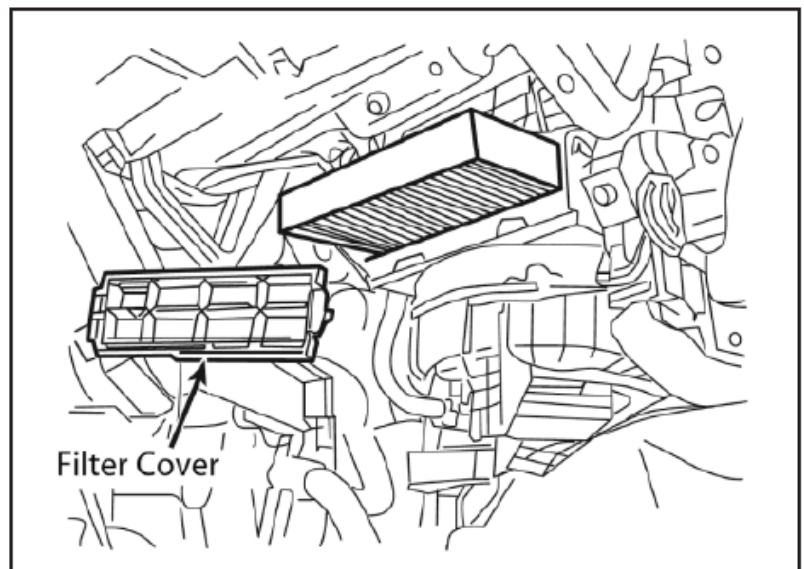


Figure 2

3. Install filter, filter housing cover and glove box assembly in the reverse order of removal.

Approximate install time: 15 minutes

atp
professional auto parts®

1300 Pratt Boulevard
Elk Grove Village, Illinois 60007
Tech Help Line: 1-800-528-6695
www.atp-inc.com