

Cabin Air Filter Installation Instructions

Interior ventilation filter is located inside filter case, behind the glove box compartment door.

1. Remove (2) glove box door retaining bolts. Open the glove box door. Push in on each side of the glove box door to release stops and lower the door. (See Figure 1)

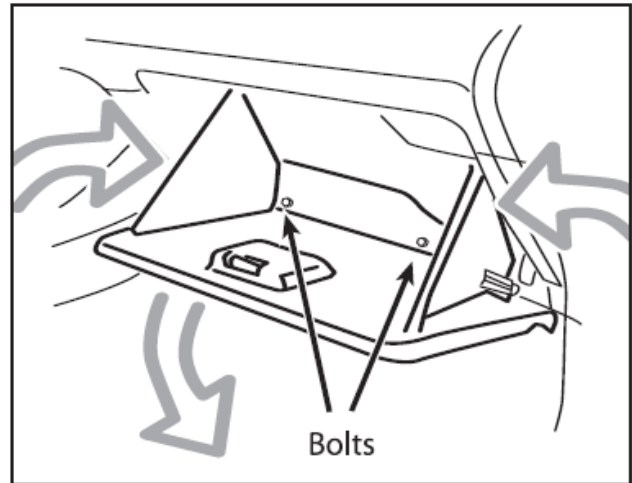


Figure 1

2. Slide out the filter case towards you. (See Figure 2)

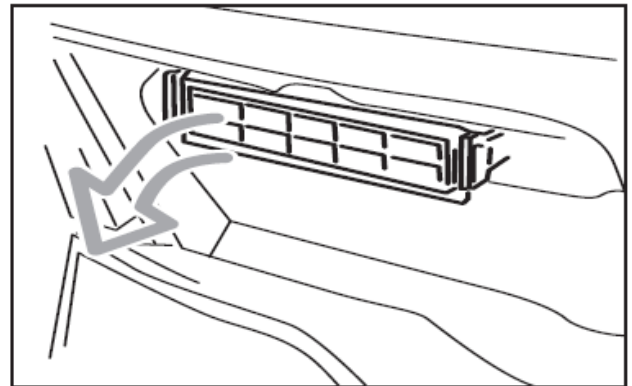


Figure 2

3. Remove filter element from case. Install filter into case. (Make sure filter element is properly seated in the filter case) (See Figure 3)

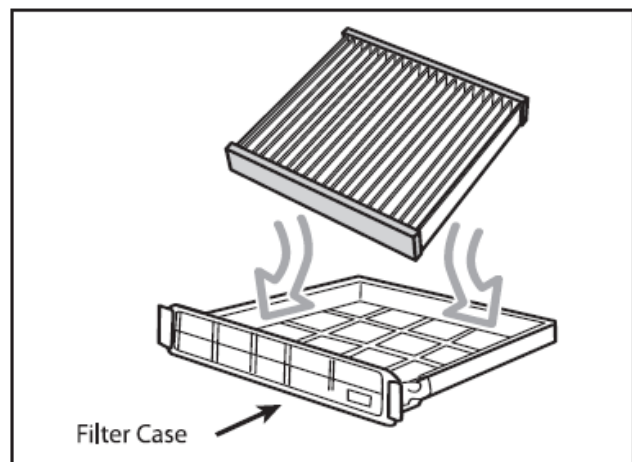


Figure 3

**Approximate Installation Time:
15 Minutes**

atp
professional auto parts®

1300 Pratt Boulevard
Elk Grove Village, Illinois 60007
Tech Help Line: 1-800-528-6695
www.atp-inc.com