

Cabin Air Filter Installation Instructions

Interior ventilation filter is located behind glove box door inside the cooling housing compartment.

Detach the retaining clips from the passenger side kick panel underneath the glove box door and remove kick panel. (See Figure 1)

Open and swing down glove box door. Unscrew (2) retainer bolts and use a flat-head screwdriver to apply pressure to the snap clips. Unplug the electrical trunk opener connector and remove glove box door assembly. (See Figure 2)

Remove (3) screws from the backing cover and unsnap (4) clips to uninstall the cover. (See Figure 3)

Turn the ignition key on and set the recirculation control to the recirculation mode.

Detach the cooling housing cover to gain access to the vent filters. Slide out the first filter and frame assembly towards you and slightly bend upwards to remove from the second filter and frame assembly. Unhook the first filter assembly from the second filter assembly by detaching it from the lock and hinge of the two filter assemblies. Pull second filter assembly out of the cooling unit. (See Figure 4)

Remove the filters from their frame and reinstall the assembly in the reverse order.

Approximate Installation Time: 30 Minutes

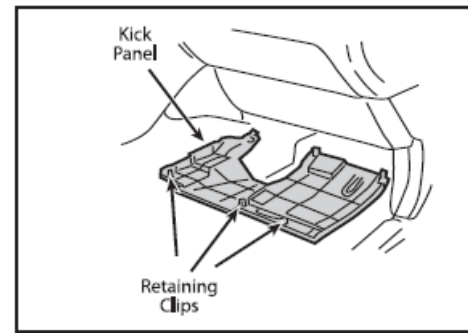


Figure 1

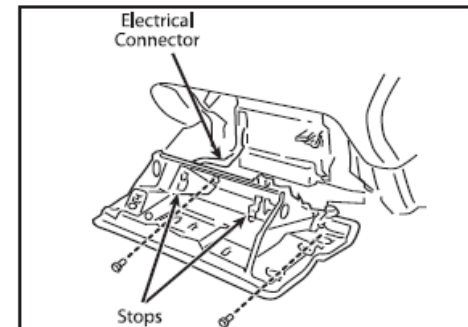


Figure 2

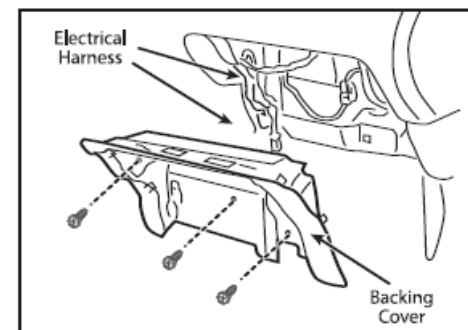


Figure 3

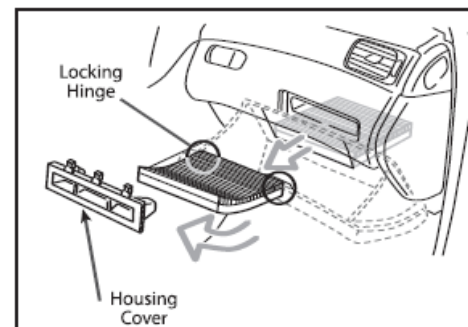


Figure 4

atp
professional auto parts®

1300 Pratt Boulevard
Elk Grove Village, Illinois 60007
Tech Help Line: 1-800-528-6695
www.atp-inc.com