

Cabin Air Filter Installation Instructions

Interior ventilation filter is located underneath passenger side cowl cover.

1. Open hood. Pull off and set aside the weatherstrip. Pull the cowl cover towards front of the vehicle. (See Figure 1)

2. Release catches on tab and fold back tab and remove filter. (See Figure 2)

3. Install filter with the air flow arrows pointing down.

***Approximate Installation Time:
20 Minutes***

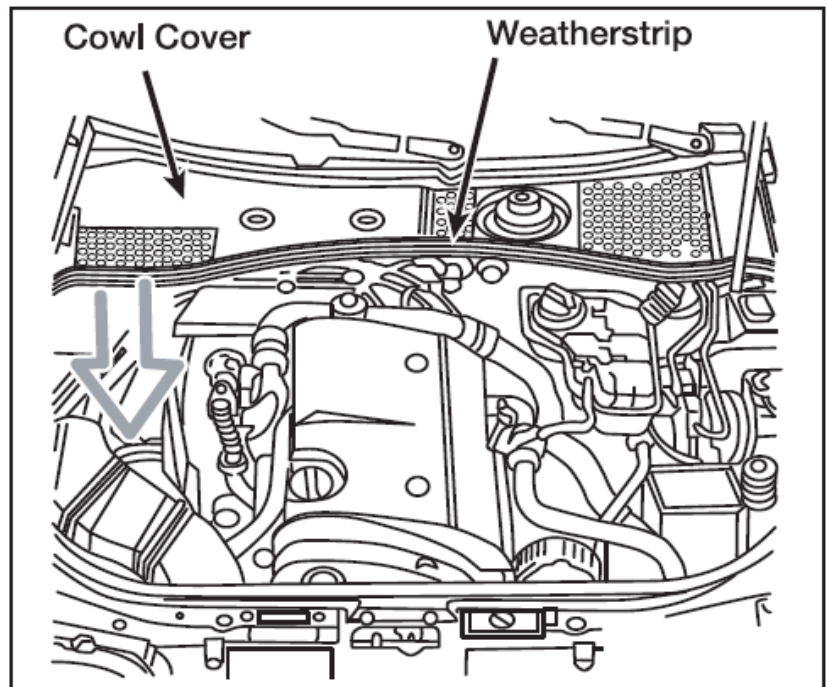


Figure 1

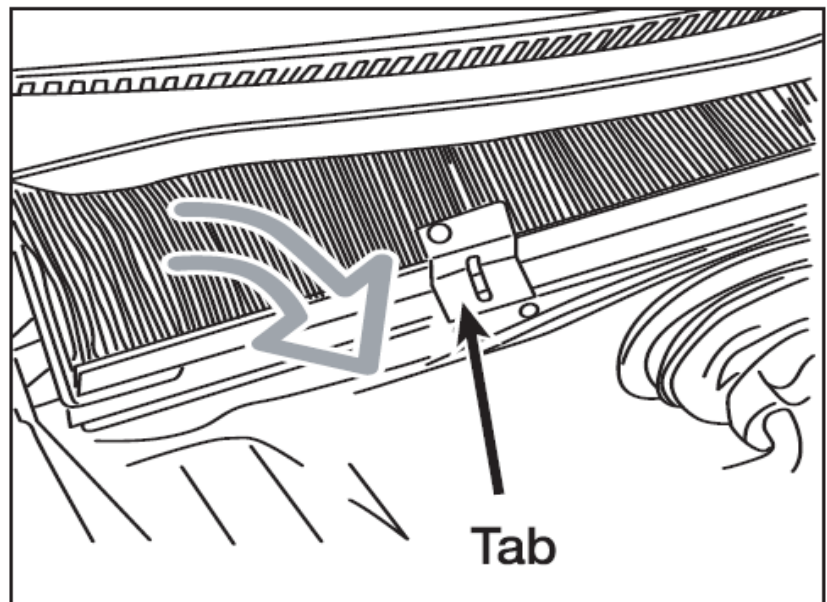


Figure 2

atp
professional auto parts®

1300PrattBoulevard
Elk Grove Village, Illinois 60007
Tech Help Line: 1-800-528-6695
www.atp-inc.com

Form No. CF195