

Cabin Air Filter Installation Instructions

Interior ventilation filter is located under hood, inside the HVAC housing.

1. Open and secure hood. Remove the HVAC housing cover located on the passenger side of the engine compartment. (See Figure 1)

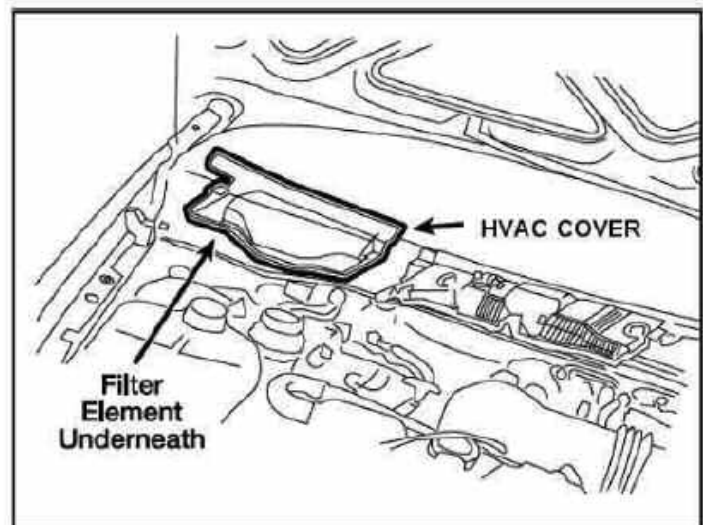


Figure 1

2. Pull up and out on the vent filter to remove from housing. (See Figure 2)

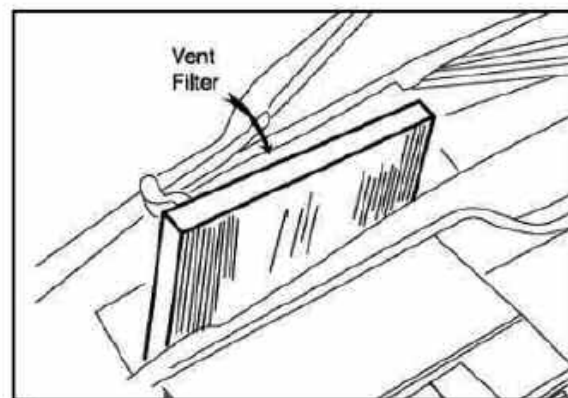


Figure 2

3. Installation will be in the reverse order of removal.

Approximate install time: 5 minutes

atp
professional auto parts®

1300 Pratt Boulevard
Elk Grove Village, Illinois 60007
Tech Help Line: 1-800-528-6695
www.atp-inc.com

Form No. CF189