

Cabin Air Filter Installation Instructions

Interior ventilation filters are located underneath hood, under the center portion of the cowl panel.

- 1. Open and secure hood. Loosen (4) hold down screws from the filter housing cover and lift up cover. (See Figure 1)**
- 2. Detach (4) vent filter retaining clips and lift both filters out of housing. (See Figure 2)**
- 3. Installation will be in the reverse order of removal.**

Approximate install time: 5 minutes

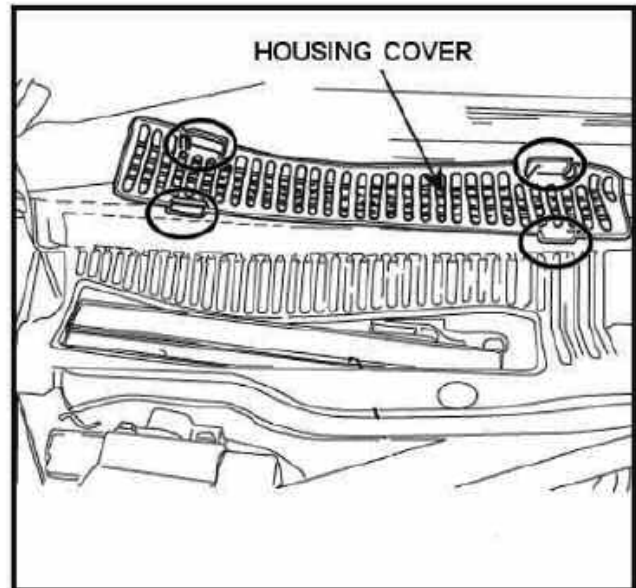


Figure 1

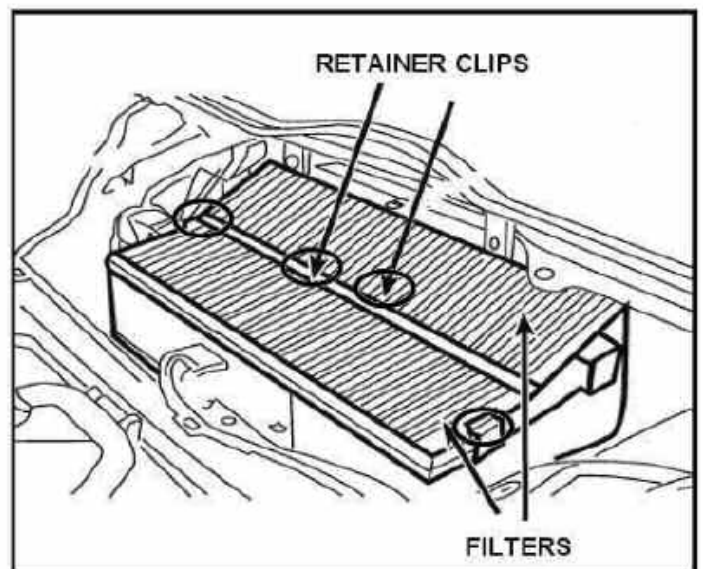


Figure 2

atp
professional auto parts®

1300 Pratt Boulevard
Elk Grove Village, Illinois 60007
Tech Help Line: 1-800-528-6695
www.atp-inc.com