

Cabin Air Filter Installation Instructions

Interior ventilation filter is located under hood, under-neath center housing cover.

- 1. Open and secure hood. Detach the upper and lower weather strip from the housing cover. Remove (2) cover screws and detach (3) housing retainers. Unplug and carefully remove the climate sensor. (See Figure 1)**

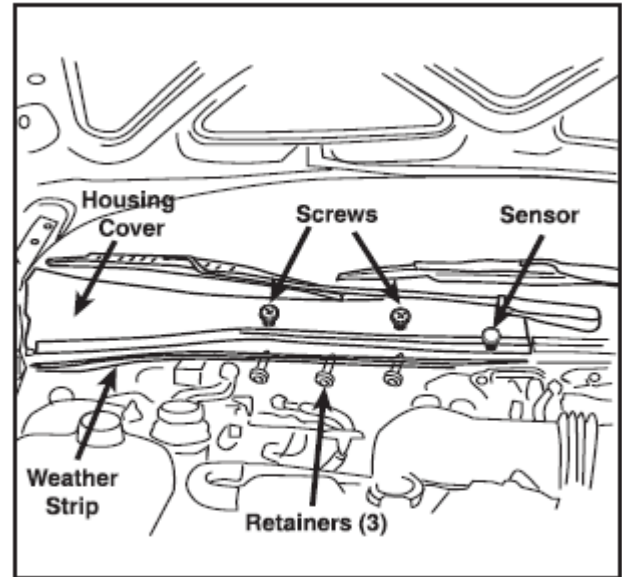


Figure 1

- 2. Lift and remove housing cover and filter. (See Figure 2)**

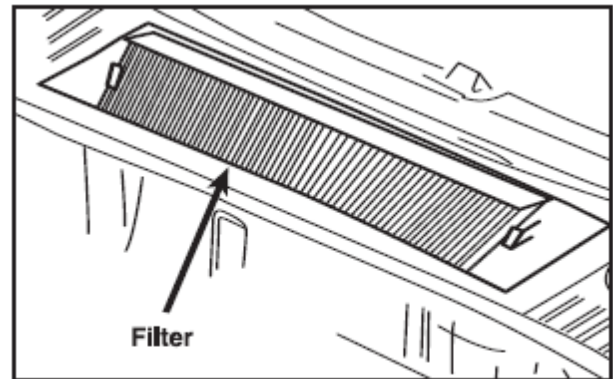


Figure 2

Approximate install time: 15 minutes

atp
professional auto parts®

1300 Pratt Boulevard
Elk Grove Village, Illinois 60007
Tech Help Line: 1-800-528-6695
www.atp-inc.com